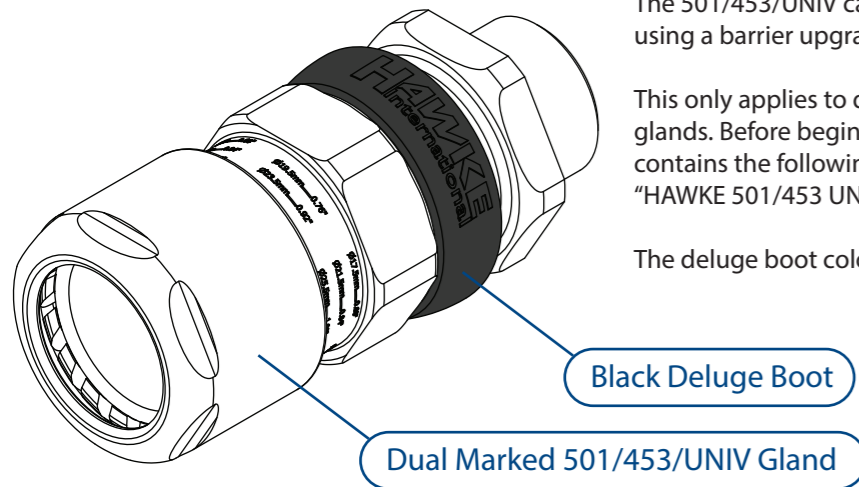


Barrier Gland Upgrade Kit

GLAND FOR CONVERSION

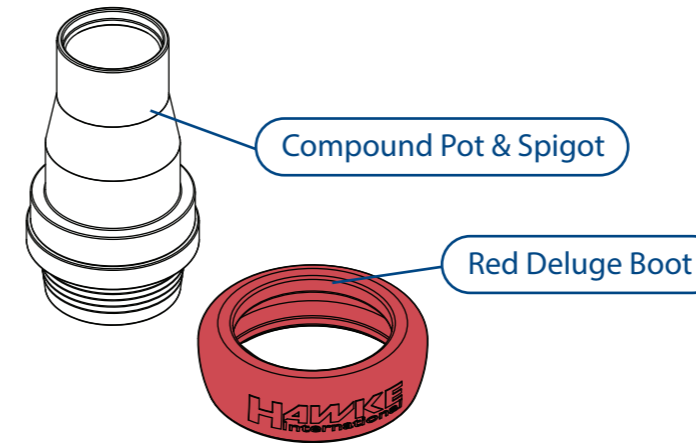


The 501/453/UNIV can be converted into an ICG/653/UNIV using a barrier upgrade kit.

This only applies to dual marked 501/453/UNIV barrier glands. Before beginning, confirm the gland marking contains the following string: "HAWKE 501/453 UNIV (BLACK) / HAWKE ICG 653 UNIV (RED)"

The deluge boot colour defines the gland type.

BARRIER GLAND UPGRADE KIT



The barrier gland conversion kit contains the following:

- Compound Pot & Spigot
- Red Deluge Boot
- Express Resin or Hawkesal Compound

The Express Resin (AI2035) or Hawkesal/QSP Compound (AI2034) are not required for the conversion but will be needed for the gland installation stage.

CONVERSION STEPS

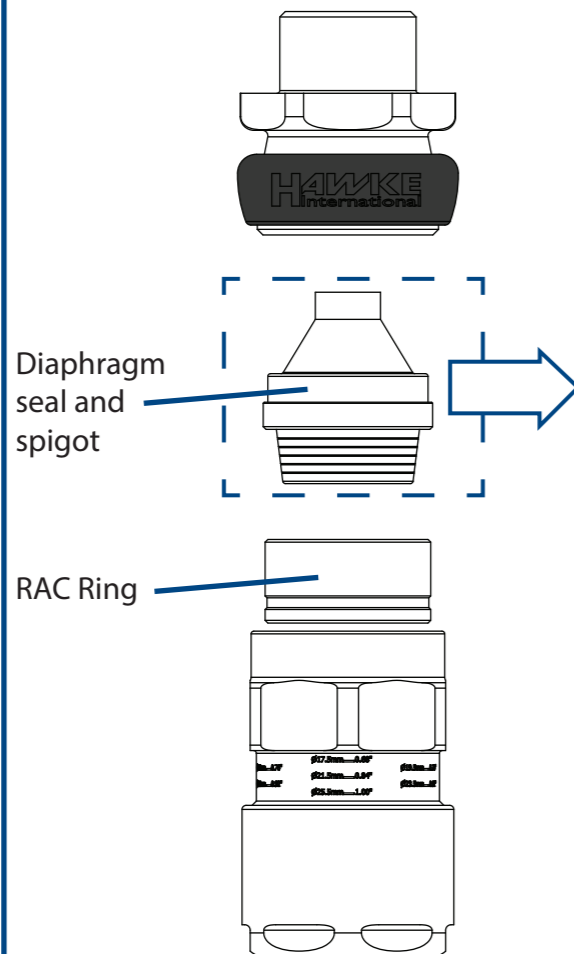
STEP 1: Unscrew Entry

Unscrew Entry from middle nut and remove. This gives access to the internal components.



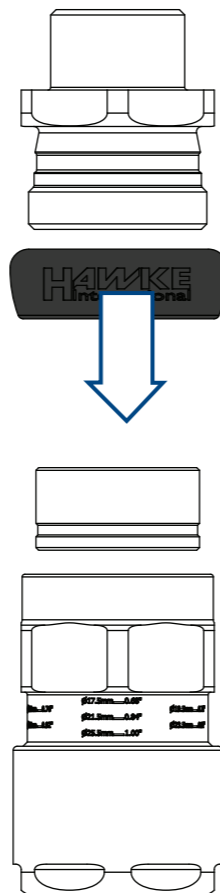
STEP 2: Discard Diaphragm Spigot

Remove the diaphragm seal and spigot assembly from the gland and discard. Keep the RAC ring.



STEP 3: Discard Black Deluge Boot

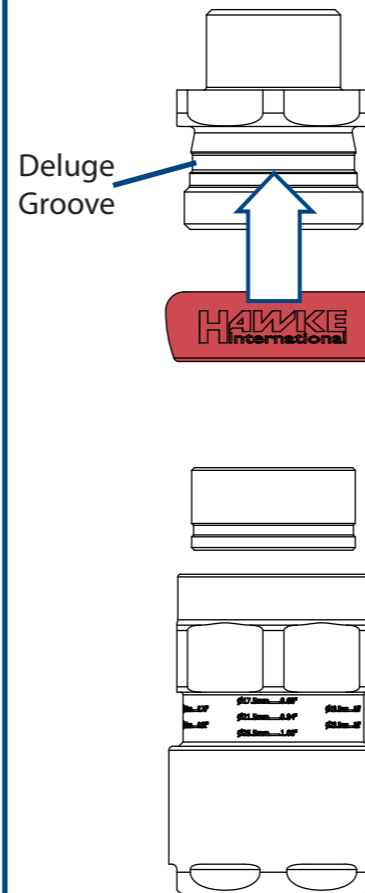
Pull the black deluge boot off the entry and discard.



STEP 4: Fit Red Deluge Boot

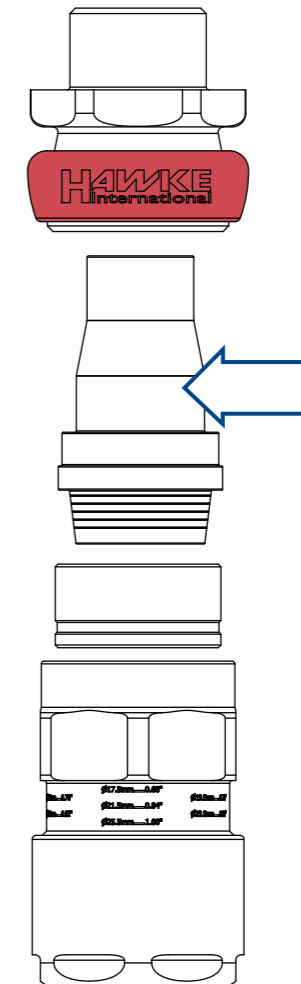
Take the red deluge boot and pass over the entry. **Take care to avoid damaging on the entry threads.**

The boot is properly fitted when it is sat in the entry groove.



STEP 5: Install Compound Pot and Spigot

Place compound pot and spigot into assembly.



STEP 6: Replace Entry

Screw entry into middle nut until resistance is felt. The gland can now be installed as an ICG/653/UNIV barrier gland (see AI2001).

